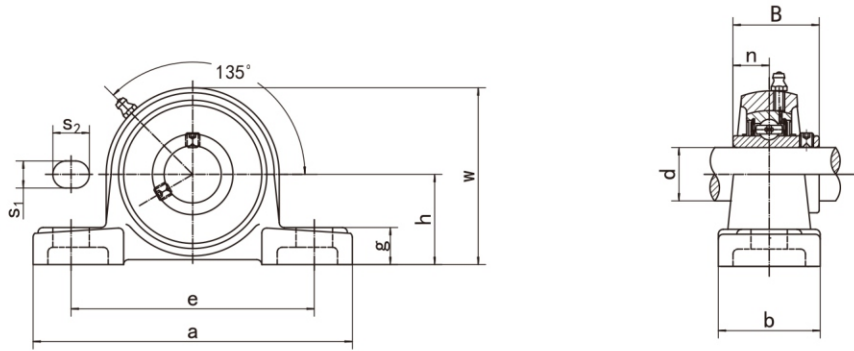


# Pillow Blocks

## UCPX (Medium-duty)



| Unit NO. | Dimensions ( mm / in. ) |        |        |         |        |                |                |         |         |        |        | Bolt Size<br>mm/in. | Bearing No. | Housing<br>No. | Weight<br>(kg) |
|----------|-------------------------|--------|--------|---------|--------|----------------|----------------|---------|---------|--------|--------|---------------------|-------------|----------------|----------------|
|          | d                       | h      | a      | e       | b      | s <sub>1</sub> | s <sub>2</sub> | g       | w       | B      | n      |                     |             |                |                |
| UCPX05   | 25                      | 44.4   | 159    | 119     | 51     | 17             | 20             | 18      | 85      | 38.1   | 15.9   | M14                 | UCX05       | PX05           | 1.33           |
| X05-13   | 13/16                   |        |        |         |        |                |                |         |         |        |        |                     | UCX05-13    |                |                |
| X05-14   | 7/8                     | 1-3/4  | 6-1/4  | 4-11/16 | 2      | 43/64          | 25/32          | 23/32   | 3-11/32 | 1.5000 | 0.626  | 1/2                 | UCX05-14    |                |                |
| X05-15   | 15/16                   |        |        |         |        |                |                |         |         |        |        |                     | UCX05-15    |                |                |
| X05-16   | 1                       |        |        |         |        |                |                |         |         |        |        |                     | UCX05-16    |                |                |
| UCPX06   | 30                      | 47.6   | 175    | 127     | 57     | 17             | 20             | 20      | 93      | 42.9   | 17.5   | M14                 | UCX06       | PX06           | 1.71           |
| X06-17   | 1-1/16                  |        |        |         |        |                |                |         |         |        |        |                     | UCX06-17    |                |                |
| X06-18   | 1-1/8                   | 1-7/8  | 6-7/8  | 5       | 2-1/4  | 43/64          | 25/32          | 25/32   | 3-21/32 | 1.6890 | 0.689  | 1/2                 | UCX06-18    |                |                |
| X06-19   | 1-3/16                  |        |        |         |        |                |                |         |         |        |        |                     | UCX06-19    |                |                |
| X06-20   | 1-1/4                   |        |        |         |        |                |                |         |         |        |        |                     | UCX06-20    |                |                |
| UCPX07   | 35                      | 54.0   | 203    | 144     | 57     | 17             | 20             | 21      | 105     | 49.2   | 19     | M14                 | UCX07       | PX07           | 2.30           |
| X07-21   | 1-5/16                  |        |        |         |        |                |                |         |         |        |        |                     | UCX07-21    |                |                |
| X07-22   | 1-3/8                   | 2-1/8  | 8      | 5-21/32 | 2-1/4  | 43/64          | 25/32          | 13/16   | 4-1/8   | 1.9370 | 0.748  | 1/2                 | UCX07-22    |                |                |
| X07-23   | 1-7/16                  |        |        |         |        |                |                |         |         |        |        |                     | UCX07-23    |                |                |
| UCPX08   | 40                      | 58.7   | 222    | 156     | 67     | 20             | 23             | 26      | 111     | 49.2   | 19     | M16                 | UCX08       | PX08           | 2.84           |
| X08-24   | 1-1/2                   | 2-5/16 | 8-3/4  | 6-5/32  | 2-5/8  | 25/32          | 29/32          | 1-1/32  | 4-3/8   | 1.9370 | 0.748  | 5/8                 | UCX08-24    |                |                |
| X08-25   | 1-9/16                  |        |        |         |        |                |                |         |         |        |        |                     | UCX08-25    |                |                |
| UCPX09   | 45                      | 58.7   | 222    | 156     | 67     | 20             | 23             | 26      | 116     | 51.6   | 19     | M16                 | UCX09       | PX09           | 3.20           |
| X09-26   | 1-5/8                   |        |        |         |        |                |                |         |         |        |        |                     | UCX09-26    |                |                |
| X09-27   | 1-11/16                 | 2-5/16 | 8-3/4  | 6-5/32  | 2-5/8  | 25/32          | 29/32          | 1-1/32  | 4-9/16  | 2.0315 | 0.748  | 5/8                 | UCX09-27    |                |                |
| X09-28   | 1-3/4                   |        |        |         |        |                |                |         |         |        |        |                     | UCX09-28    |                |                |
| X09-29   | 1-13/16                 |        |        |         |        |                |                |         |         |        |        |                     | UCX09-29    |                |                |
| UCPX10   | 50                      | 63.5   | 241    | 171     | 73     | 20             | 23             | 27      | 126     | 55.6   | 22.2   | M16                 | UCX10       | PX10           | 4.07           |
| X10-30   | 1-7/8                   |        |        |         |        |                |                |         |         |        |        |                     | UCX10-30    |                |                |
| X10-31   | 1-15/16                 | 2-1/2  | 9-1/2  | 6-47/64 | 2-7/8  | 25/32          | 29/32          | 1-1/16  | 4-31/32 | 2.1890 | 0.874  | 5/8                 | UCX10-31    |                |                |
| X10-32   | 2                       |        |        |         |        |                |                |         |         |        |        |                     | UCX10-32    |                |                |
| UCPX11   | 55                      | 69.8   | 260    | 184     | 79     | 25             | 28             | 30      | 137     | 65.1   | 25.4   | M20                 | UCX11       | PX11           | 5.18           |
| X11-33   | 2-1/16                  |        |        |         |        |                |                |         |         |        |        |                     | UCX11-33    |                |                |
| X11-34   | 2-1/8                   |        |        |         |        |                |                |         |         |        |        |                     | UCX11-34    |                |                |
| X11-35   | 2-3/16                  | 2-3/4  | 10-1/4 | 7-1/4   | 3-1/8  | 31/32          | 1-3/32         | 1-3/16  | 5-13/32 | 2.5630 | 1.000  | 3/4                 | UCX11-35    |                |                |
| X11-36   | 2-1/4                   |        |        |         |        |                |                |         |         |        |        |                     | UCX11-36    |                |                |
| X11-37   | 2-5/16                  |        |        |         |        |                |                |         |         |        |        |                     | UCX11-37    |                |                |
| UCPX12   | 60                      | 76.2   | 286    | 203     | 83     | 25             | 28             | 33      | 151     | 65.1   | 25.4   | M20                 | UCX12       | PX12           | 6.67           |
| X12-38   | 2-3/8                   |        |        |         |        |                |                |         |         |        |        |                     | UCX12-38    |                |                |
| X12-39   | 2-7/16                  | 3      | 11-1/4 | 8       | 3-9/32 | 31/32          | 1-3/32         | 1-5/16  | 5-15/16 | 2.5630 | 1.000  | 3/4                 | UCX12-39    |                |                |
| UCPX13   | 65                      | 76.2   | 286    | 203     | 83     | 25             | 28             | 33      | 154     | 74.6   | 30.2   | M20                 | UCX13       | PX13           | 6.92           |
| X13-40   | 2-1/2                   |        |        |         |        |                |                |         |         |        |        |                     | UCX13-40    |                |                |
| X13-41   | 2-9/16                  | 3      | 11-1/4 | 8       | 3-9/32 | 63/64          | 1-3/32         | 1-5/16  | 6-1/16  | 2.9370 | 1.189  | 3/4                 | UCX13-41    |                |                |
| UCPX14   | 70                      | 88.9   | 330    | 229     | 89     | 27             | 30             | 35      | 170     | 77.8   | 33.3   | M22                 | UCX14       | PX14           | 8.64           |
| X14-42   | 2-5/8                   |        |        |         |        |                |                |         |         |        |        |                     | UCX14-42    |                |                |
| X14-43   | 2-11/16                 | 3-1/2  | 13     | 9-1/32  | 3-1/2  | 1-1/16         | 1-3/16         | 1-3/8   | 6-11/16 | 3.0630 | 1.311  | 7/8                 | UCX14-43    |                |                |
| X14-44   | 2-3/4                   |        |        |         |        |                |                |         |         |        |        |                     | UCX14-44    |                |                |
| UCPX15   | 75                      | 88.9   | 330    | 229     | 89     | 27             | 30             | 35      | 175     | 82.6   | 33.3   | M22                 | UCX15       | PX15           | 9.40           |
| X15-45   | 2-13/16                 |        |        |         |        |                |                |         |         |        |        |                     | UCX15-45    |                |                |
| X15-46   | 2-7/8                   | 3-1/2  | 13     | 9-1/32  | 3-1/2  | 1-1/16         | 1-3/16         | 1-3/8   | 6-7/8   | 3.2520 | 1.311  | 7/8                 | UCX15-46    |                |                |
| X15-47   | 2-15/16                 |        |        |         |        |                |                |         |         |        |        |                     | UCX15-47    |                |                |
| X15-48   | 3                       |        |        |         |        |                |                |         |         |        |        |                     | UCX15-48    |                |                |
| UCPX16   | 80                      | 101.6  | 381    | 283     | 102    | 27             | 30             | 40      | 194     | 85.7   | 34.1   | M22                 | UCX16       | PX16           | 13.4           |
| X16-49   | 3-1/16                  |        |        |         |        |                |                |         |         |        |        |                     | UCX16-49    |                |                |
| X16-50   | 3-1/8                   | 4      | 15     | 11-5/32 | 4-1/32 | 1-1/16         | 1-3/16         | 1-9/16  | 7-5/8   | 3.3740 | 1.343  | 7/8                 | UCX16-50    |                |                |
| X16-51   | 3-3/16                  |        |        |         |        |                |                |         |         |        |        |                     | UCX16-51    |                |                |
| X16-52   | 3-1/4                   |        |        |         |        |                |                |         |         |        |        |                     | UCX16-52    |                |                |
| UCPX17   | 85                      | 101.6  | 381    | 283     | 102    | 27             | 30             | 40      | 200     | 96     | 39.7   | M22                 | UCX17       | PX17           | 14.6           |
| X17-53   | 3-5/16                  |        |        |         |        |                |                |         |         |        |        |                     | UCX17-53    |                |                |
| X17-55   | 3-7/16                  | 4      | 15     | 11-5/32 | 4-1/32 | 1-1/16         | 1-3/16         | 1-9/16  | 7-7/8   | 3.7795 | 1.563  | 7/8                 | UCX17-55    |                |                |
| UCPX18   | 90                      | 101.6  | 381    | 283     | 111    | 27             | 30             | 40      | 206     | 104.0  | 42.9   | M22                 | UCX18       | PX18           | 16.5           |
| X18-56   | 3-1/2                   | 4      | 15     | 11-5/32 | 4-3/8  | 1-1/16         | 1-3/16         | 1-37/64 | 8-7/64  | 4.0945 | 1.6890 | 7/8                 | UCX18-56    |                |                |
| UCPX20   | 100                     | 127.0  | 432    | 337     | 121    | 33             | 36             | 45      | 244     | 117.5  | 49.2   | M27                 | UCX20       | PX20           | 24.9           |
| X20-64   | 4                       | 5      | 17     | 13-9/32 | 4-3/4  | 1-5/16         | 1-27/64        | 1-25/32 | 9-39/64 | 4.6260 | 1.9370 | 1                   | UCX20-64    |                |                |