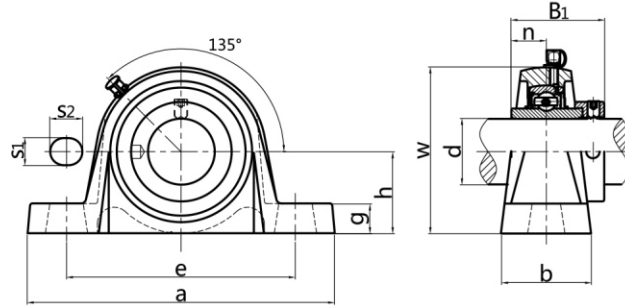


FJ-HCPE2



Unit NO.	Dimensions (mm / in.)											Bolt Size mm/in.	Bearing No.	Housing No.	Weight (kg)
	d	h	a	e	b	s1	s2	g	w	B1	n				
FJ-HCPE204	20	33.3	127	95	38	13	19	14	65	43.7	17.1	M10	FJ-HC204	FJ-PE204	0.72
204-12	3/4	1-5/16	5	3-3/4	1-1/2	1/2	3/4	9/16	2-9/16	1.720	0.673	3/8	FJ-HC204-12		0.72
FJ-HCPE205	25	36.5	140	105	38	13	19	15	71	44.4	17.5	M10	FJ-HC205	FJ-PE205	0.87
205-13	13/16	1-7/16	5-1/2	4-1/8	1-1/2	1/2	3/4	19/32	2-25/32	1.748	0.689	3/8	FJ-HC205-13		0.92
205-14	7/8												FJ-HC205-14		0.91
205-15	15/16												FJ-HC205-15		0.89
205-16	1												FJ-HC205-16		0.87
FJ-HCPE206	30												42.9	160	121
206-17	1-1/16	1-11/16	6-19/64	4-3/4	1-47/64	43/64	25/32	43/64	3-5/16	1.906	0.720	1/2	FJ-HC206-17	1.35	
206-18	1-1/8												FJ-HC206-18	1.32	
206-19	1-3/16												FJ-HC206-19	1.30	
206-20	1-1/4												FJ-HC206-20	1.27	
FJ-HCPE207	35												47.6	167	127
207-20	1-1/4	1-7/8	6-9/16	5	1-7/8	43/64	25/32	45/64	3-21/32	2.012	0.740	1/2	FJ-HC207-20	1.75	
207-21	1-5/16												FJ-HC207-21	1.71	
207-22	1-3/8												FJ-HC207-22	1.68	
207-23	1-7/16												FJ-HC207-23	1.66	
FJ-HCPE208	40												49.2	184	137
208-24	1-1/2	1-15/16	7-1/4	5-13/32	2-1/8	43/64	25/32	45/64	3-15/16	2.217	0.843	3/8	FJ-HC208-24	2.14	
208-25	1-9/16												FJ-HC208-25	2.10	
FJ-HCPE209	45	54.0	190	146	54	17	20	20	106	56.3	21	M14	FJ-HC209	2.34	
209-26	1-5/8	2-1/8	7-15/32	5-3/4	2-1/8	43/64	25/32	25/32	4-11/64	2.217	0.843	3/8	FJ-HC209-26	2.45	
209-27	1-11/16												FJ-HC209-27	2.40	
209-28	1-3/4												FJ-HC209-28	2.36	
FJ-HCPE210	50												57.2	206	159
210-29	1-13/16	2-1/4	8-1/8	6-1/4	2-3/8	25/32	29/32	53/64	4-29/64	2.469	0.969	5/8	FJ-HC210-29	3.10	
210-30	1-7/8												FJ-HC210-30	3.04	
210-31	1-15/16												FJ-HC210-31	2.98	
210-32	2												FJ-HC210-32	2.92	
FJ-HCPE211	55	63.5	219	171	60	20	23	23	125	71.4	27.8	M16	FJ-HC211	3.64	
211-32	2	2-1/2	8-5/8	6-47/64	2-3/8	25/32	29/32	29/32	4-59/64	2.811	1.094	5/8	FJ-HC211-32	3.94	
211-33	2-1/16												FJ-HC211-33	3.76	
211-34	2-1/8												FJ-HC211-34	3.69	
211-35	2-3/16												FJ-HC211-35	3.61	
FJ-HCPE212	60												69.8	241	184
212-36	2-1/4	2-3/4	9-1/2	7-1/4	2-3/4	25/32	29/32	63/64	5-7/16	3.063	1.22	5/8	FJ-HC212-36	5.02	
212-37	2-5/16												FJ-HC212-37	5.07	
212-38	2-3/8												FJ-HC212-38	5.00	
212-39	2-7/16												FJ-HC212-39	4.99	
FJ-HCPE213	65												76.2	265	203
213-40	2-1/2	3	10-7/16	8	2-3/4	63/64	1-3/32	1-1/16	5-29/32	3.374	1.343	3/4	FJ-HC213-40	6.22	
213-41	2-9/16												FJ-HC213-41	6.11	
FJ-HCPE214	70	79.4	266	210	72	25	28	27	156	85.7	34.1	M20	FJ-HC214	6.57	
214-42	2-5/8	3-1/8	10-15/32	8-17/64	2-27/32	63/64	1-3/32	1-1/16	6-9/64	3.374	1.343	3/4	FJ-HC214-42	6.51	
214-43	2-11/16												FJ-HC214-43	6.70	
214-44	2-3/4												FJ-HC214-44	6.58	
FJ-HCPE215	75												82.6	275	217
215-45	2-13/16	3-1/4	10-53/64	8-35/64	2-29/32	63/64	1-3/32	1-3/32	6-3/8	3.626	1.469	3/4	FJ-HC215-45	7.60	
215-46	2-7/8												FJ-HC215-46	7.47	
215-47	2-15/16												FJ-HC215-47	7.34	
215-48	3												FJ-HC215-48	7.20	